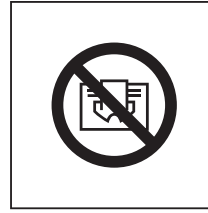
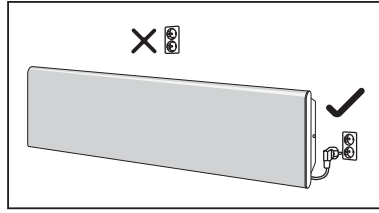
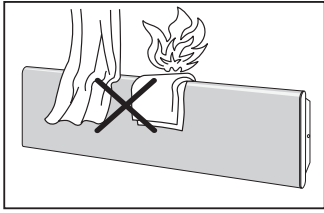


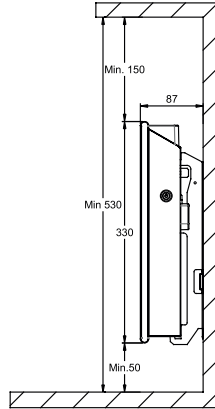
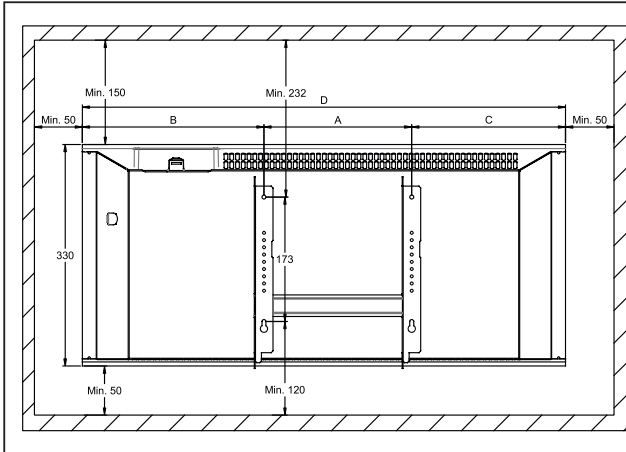
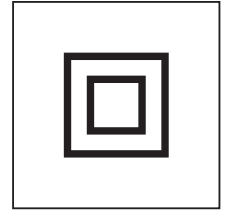
H40

Model WT / DT / KWT / KDT
IP24C Class II

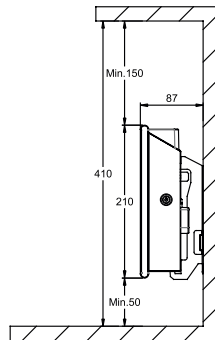
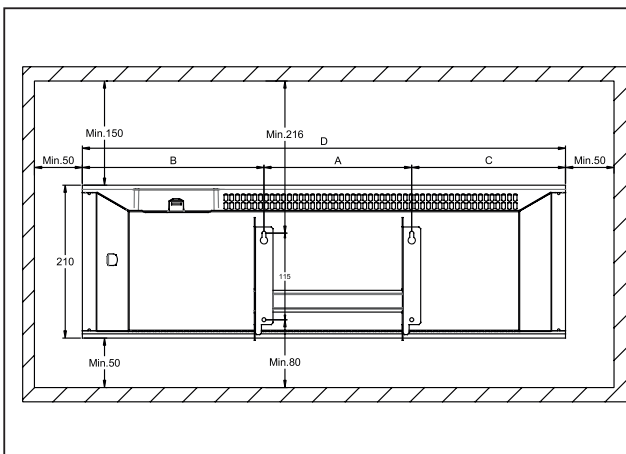
GLAMOX heating



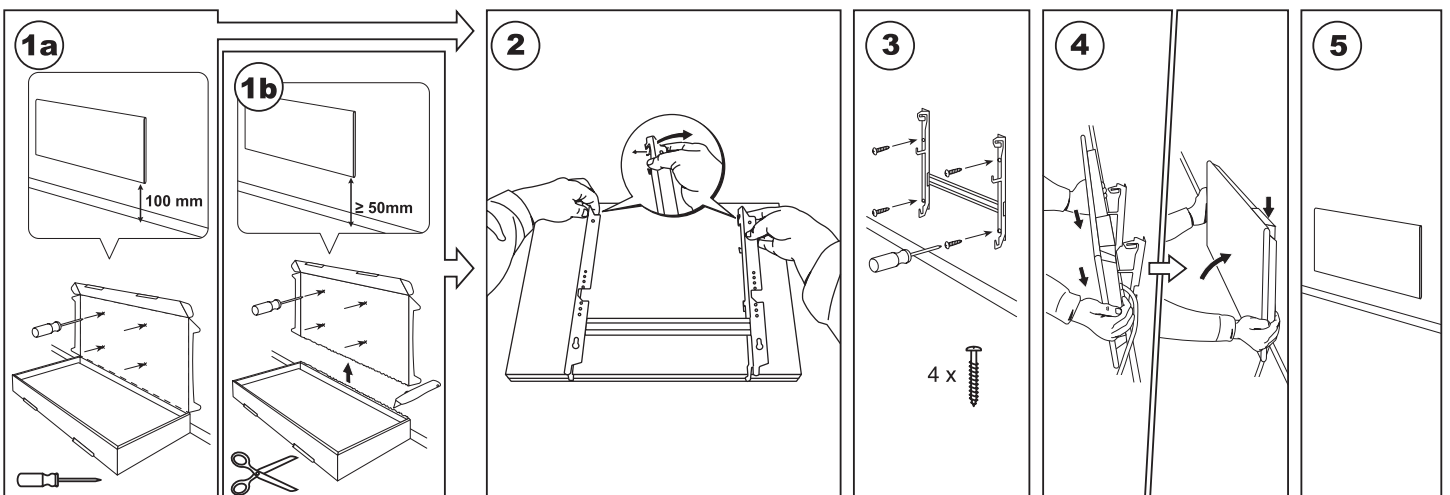
IP24C



H40 H	Watt	B	A	C	D
H40 H 02	250	227	201	92	520
H40 H 04	400	227	201	137	565
H40 H 06	600	227	201	207	635
H40 H 08	800	236	302	212	750
H40 H 10	1000	268	302	239	809
H40 H 12	1200	356	302	326	984
H40 H 14	1400	263	604	227	1094
H40 H 20	2000	426	604	403	1433



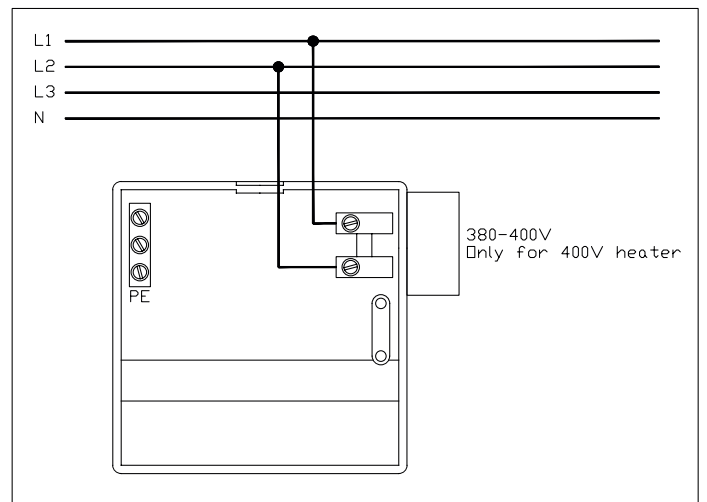
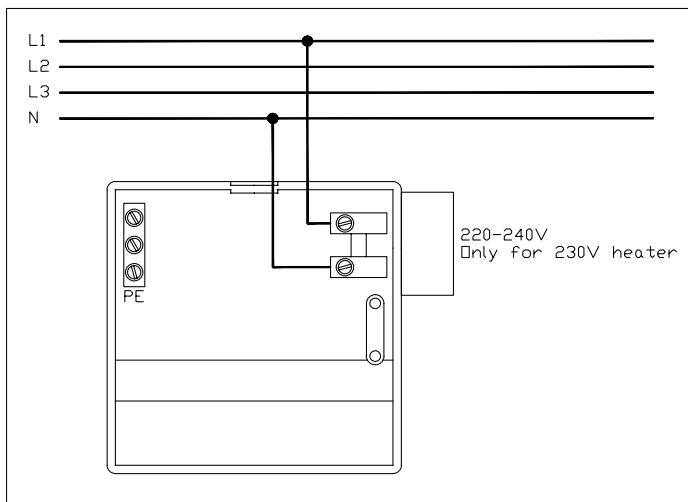
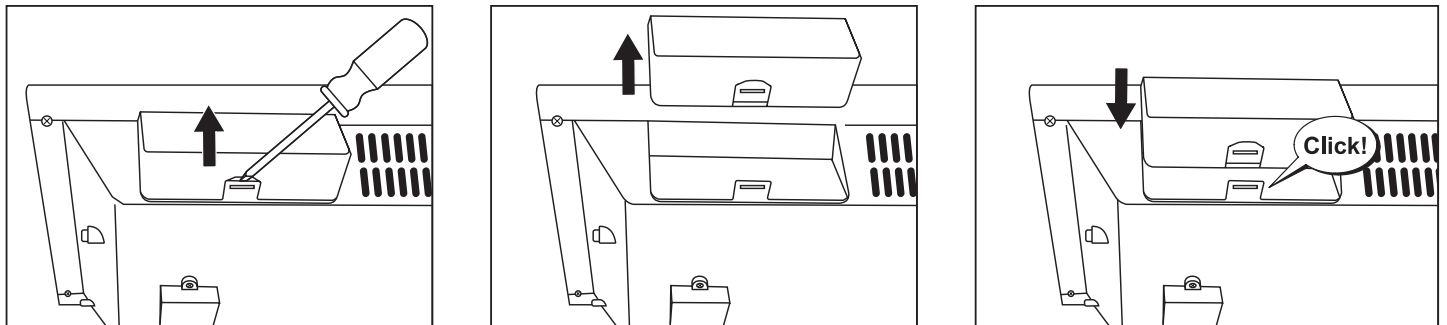
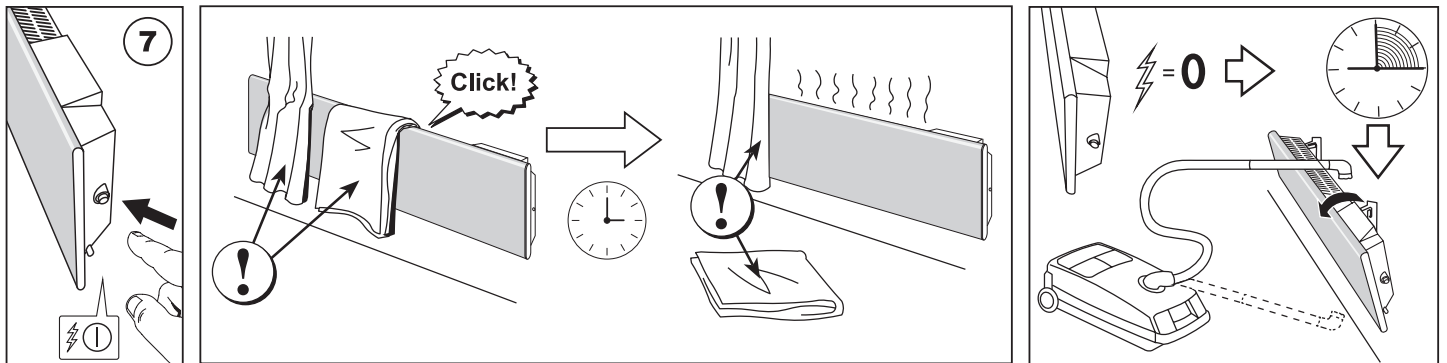
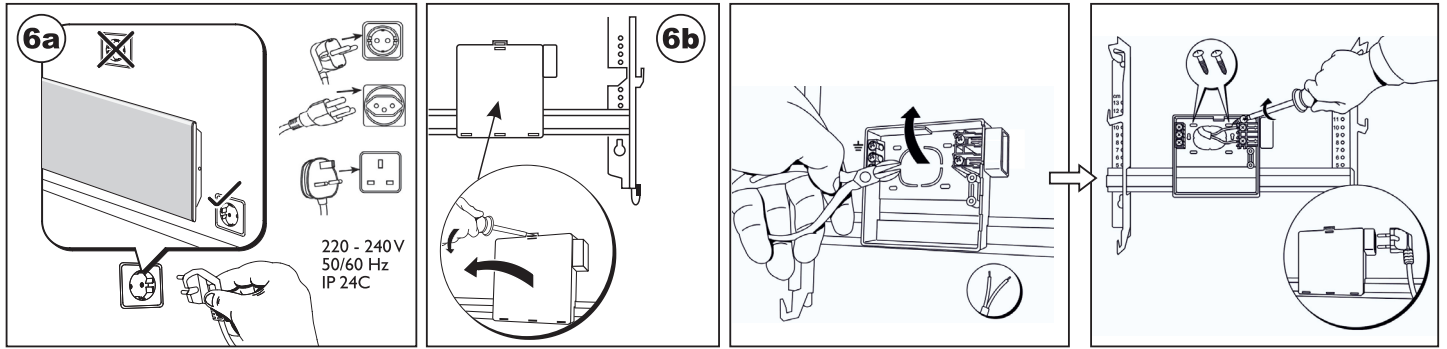
H40 L	Watt	B	A	C	D
H40 L 02	250	237	201	217	655
H40 L 04	400	253	302	228	783
H40 L 06	600	364	302	339	1005
H40 L 08	800	303	604	279	1186
H40 L 10	1000	386	604	390	1380
H40 L 12	1200	484	604	460	1548
H40 L 14	1400	343	1198	319	1860



H40

Model WT / DT / KWT / KDT
IP24C Class II

GLAMOX heating



If the supply cord is damaged, it must be replaced by the manufacturer, its service agent or similarly qualified persons in order to avoid hazard.