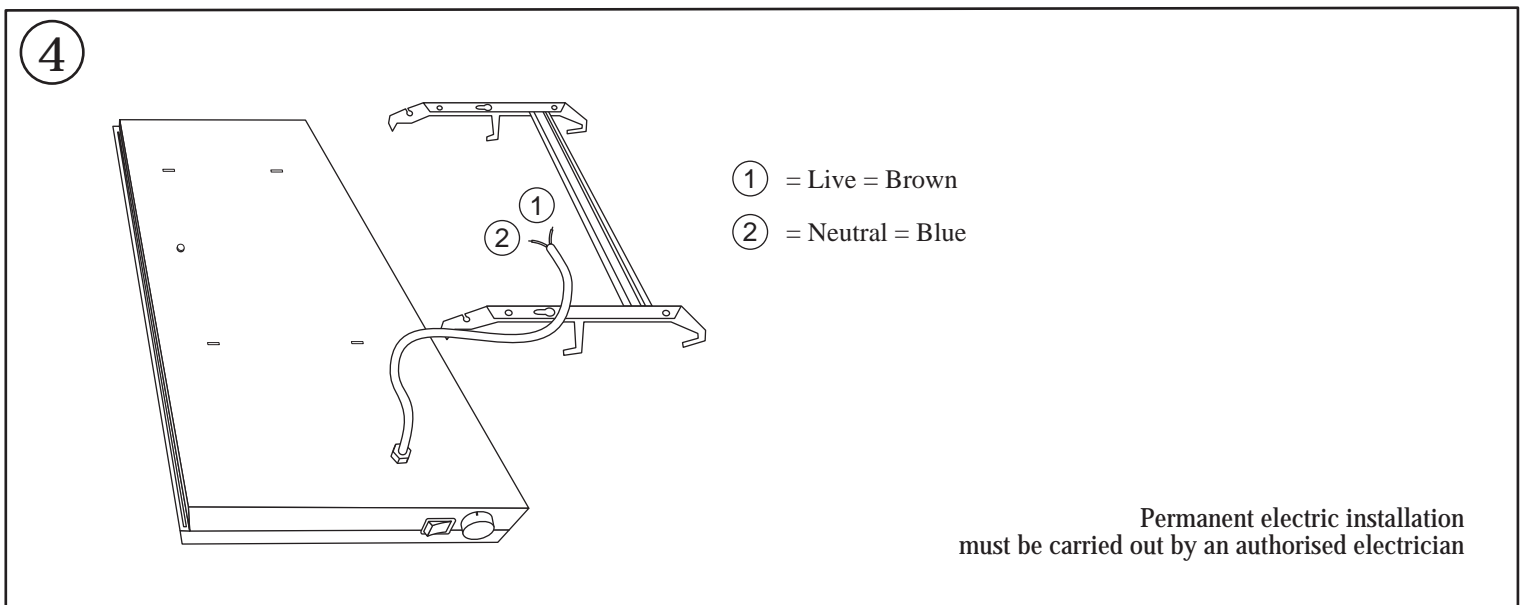
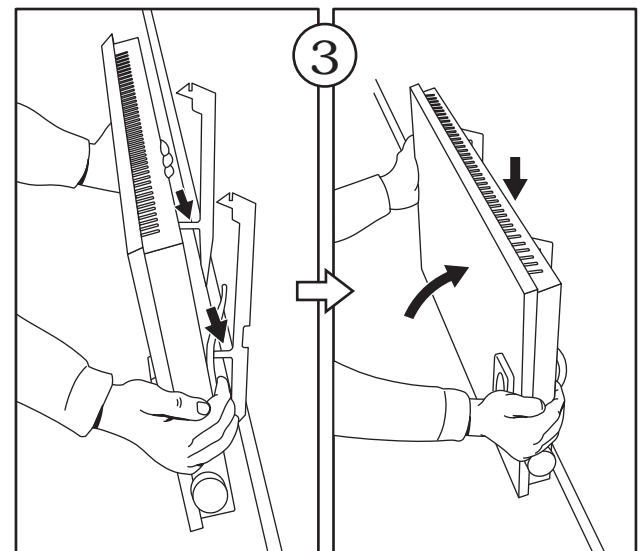
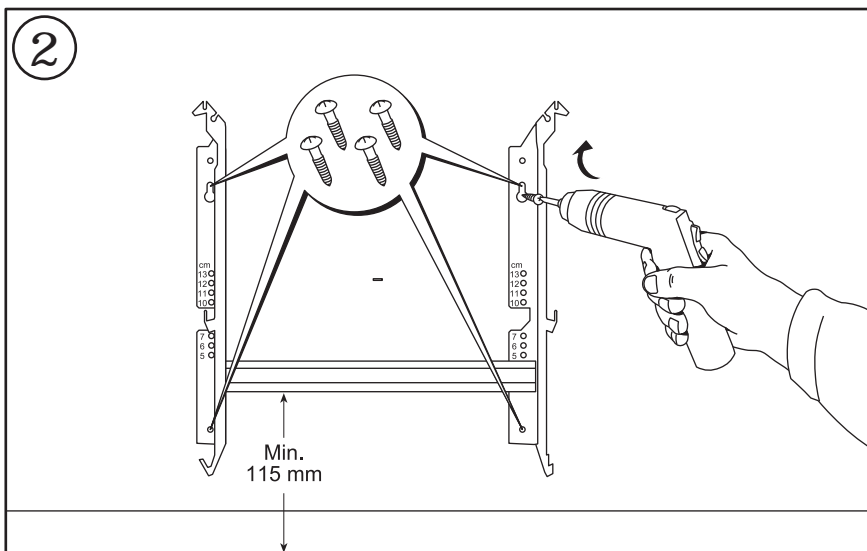
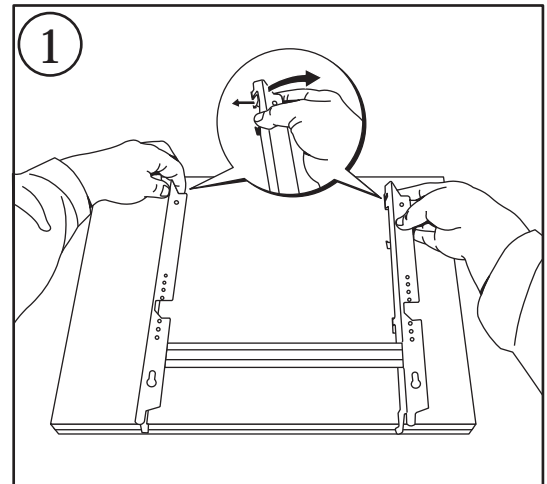
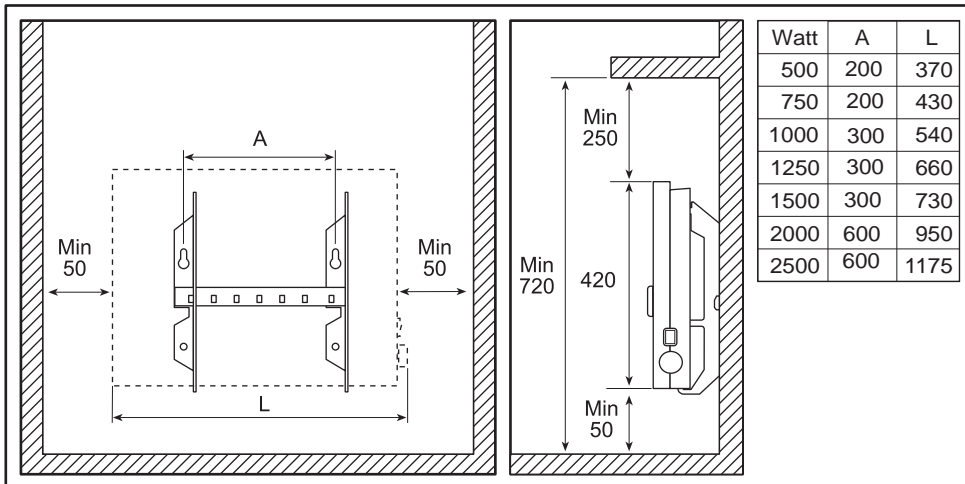
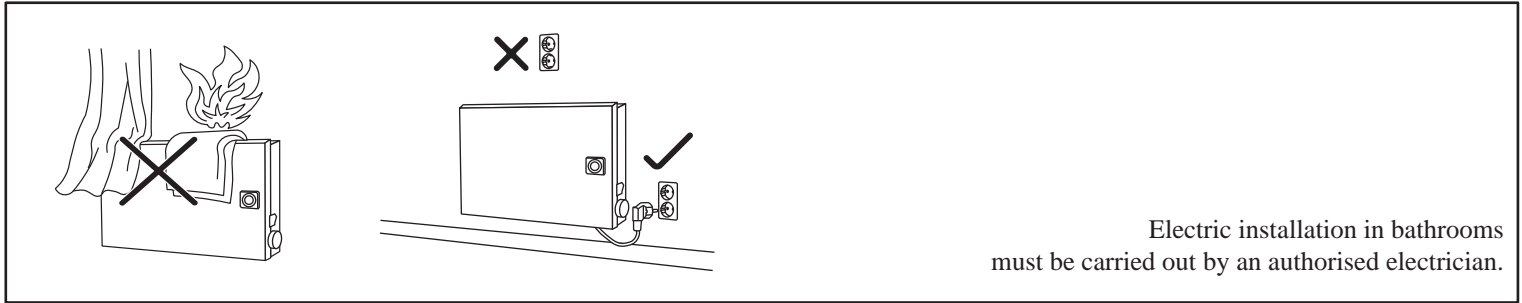
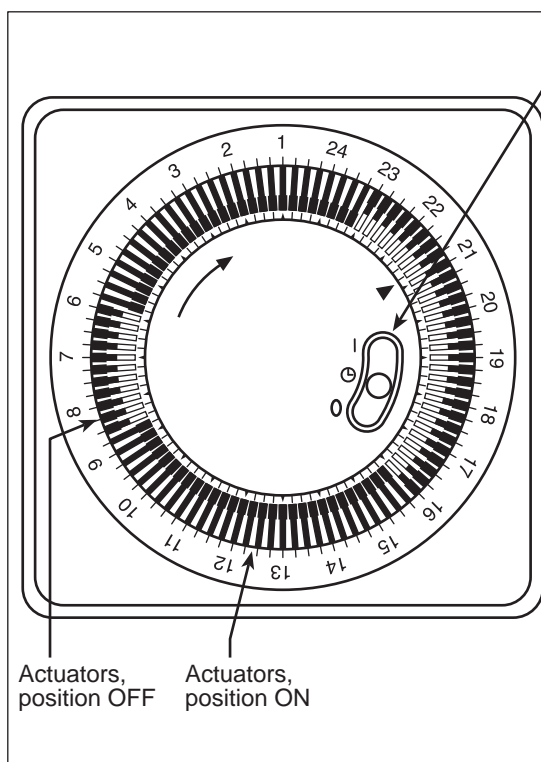
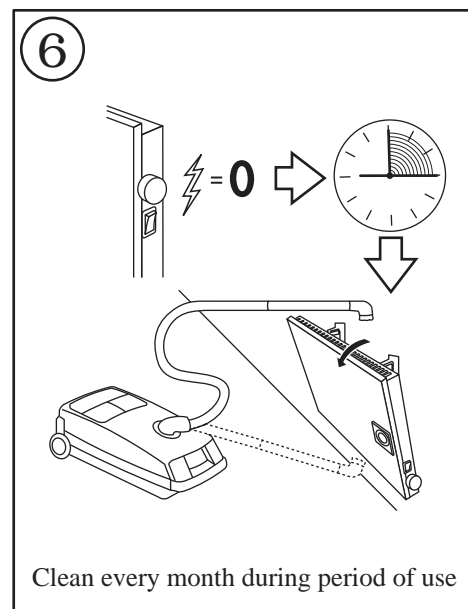
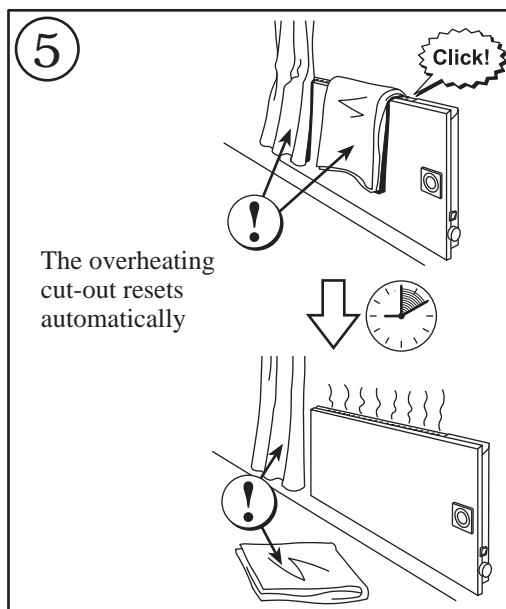
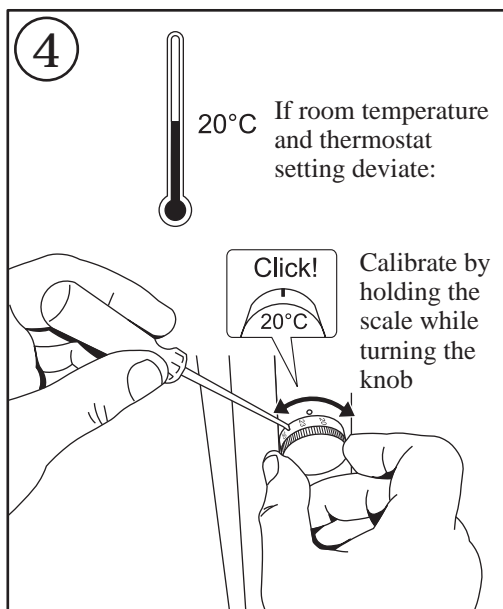
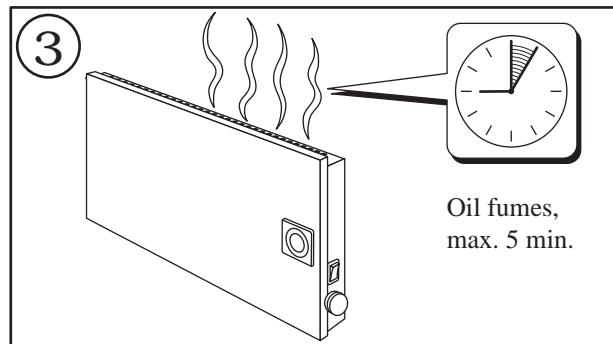
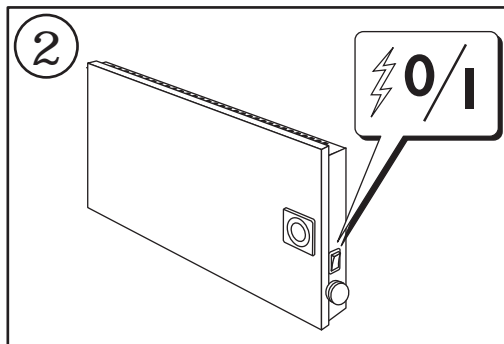
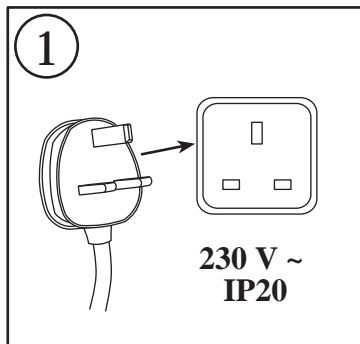


VP11 T/tim 220-240 Volt ~, IP 20, Class II



# VP11 T/tim 220-240 Volt ~ , IP 20, Class II



**0 = Off**  
The heater is switched off all the time

**I = On**  
The heater is switched on all the time and the temperature is regulated by the thermostat.

**⊖ = Automatic**  
The heater is switched on and off by the timer. When it is switched on, the temperature is regulated by the thermostat. When the heater is switched off, no heat is provided and the temperature depends on conditions in the room and the outside temperature which may sink to below zero; i.e. there is no safeguard against frost.

**Programming ⊖ (automatic)**  
The outer ring on the timer consists of switch actuators that can be pushed in and out. Each actuator represents a period of 15 minutes. When an actuator is pressed away from the centre of the circle, the heater will be switched on and will work according to the thermostat setting for this 15 minute period.

A short warm-up period is necessary from the time when the heater is switched on until the desired room temperature is reached, depending on the size of the room, insulation, etc.

Experience will show how long a warm-up period is required. A typical example may be having the actuators pushed to the on position from 6.00 to 8.30 and from 16.00 to 23.00, as illustrated.

**To set the correct time**  
Set the timer to the correct time by turning the outer ring of actuators so that the correct hour is adjacent to the arrow (the illustration shows the timer set to 21.00, i.e. 9 p.m.)

The appliance is not intended for use by persons (including children) with reduced physical, sensory or mental capabilities, or lack of experience and knowledge, unless they have been given supervision or instruction concerning the use of the appliance by a person responsible for their safety.

Children should be supervised to ensure they do not play with the appliance.

If the supply cord is damaged, it must be replaced by the manufacturer, its service agent or similarly qualified persons in order to avoid a hazard.



Please note that this symbol means "Do not cover".